

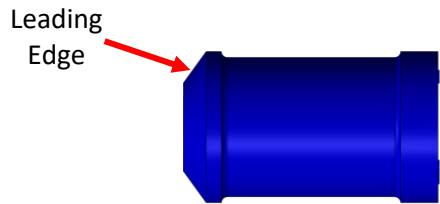


**FITTING INSTRUCTIONS**

**34F - Rear Trailing Arm Bush**

**34F Contains**  
 4 x 34F Polyurethane Pieces  
 4 x 34F Inner Tubes

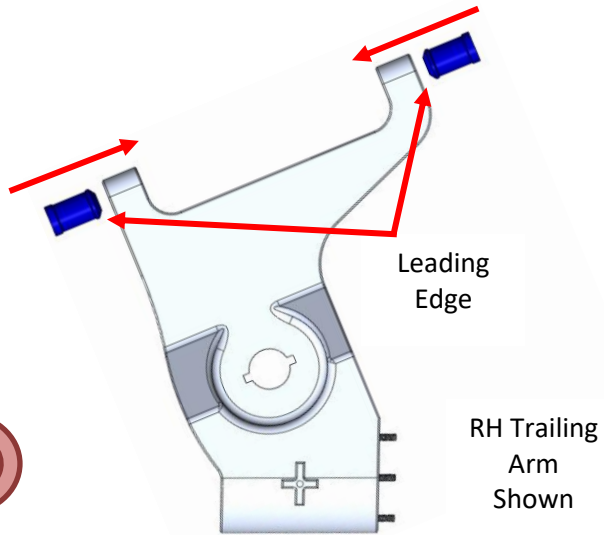
**Step 1:**  
 Remove existing bushes.



**Step 2:**  
 Ensure bores are clean from debris and remove any sharp edges.

**Step 3:**  
 Apply some washing-up liquid or similar to the leading edge of the bush.

**Step 4:**  
 As per the diagram, fit the bushes from the outer edges of the trailing arm inwards. The thicker flanges should be on the outside edges as shown.



**Step 5:**  
 Fit the inner tubes.

**Step 6:**  
 Repeat for the opposite side.

**Step 7:**  
 Refit trailing arms to the vehicle and torque bushes to manufactures setting when the suspension is at ride height.

